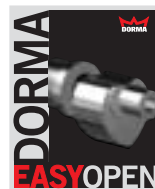




Cam-action  
door closer

# DORMA TS 97



## A perfect combination of form and function

With its new model TS 97, DORMA is able to offer the smallest surface-mounted cam-action door closer available in the project sector. Single-piece face plates with internal end caps and uniform lengths of the door closer body and slide channel characterise the impressive design credentials of this product.

Like all DORMA cam-action door closers, the TS 97 features the proven heart-shaped cam for maximum user convenience based on minimum opening effort. With its compact dimensions, the TS 97 ideally complements the overall appearance of any door.

Certified to ISO 9001.

### Benefits

#### For the trade

- One closer model for all applications to simplify materials management and stocking.
- Single pack for easy .

#### For the installer/fabricator

- Universally applicable on both LH and RH doors.
- Quick and easy to fix with mounting bracket

#### For the architect/specifier

- High-quality architectural solution for superior interior designs
- Uniform lengths of body and slide channel for enhanced harmony of appearance.
- Single-piece faceplate without slots or fixing points.

#### For the user

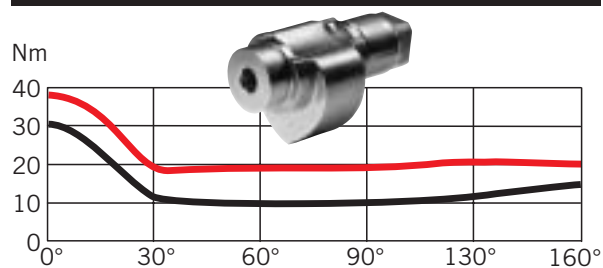
- Maximum ease of use and fully controlled, reliable closing with adjustable latching action.
- Dead stop unit as standard to protect the wall and door.

Data and features		TS 97
Closing force adjustable	Size	EN 2 – 4
Standard doors <sup>1)</sup>	up to 1100 mm	●
External doors, outward opening <sup>1)</sup>		-
Fire and smoke check doors		●
Non-handed		●
Arm assembly	Slide channel	●
Closing speed adjustment by valve		●
Latching action adjustment by valve		●
Dead stop unit (mechanical)		●
Delayed action		-
Backcheck		-
Hold-open		○
Weight in kg		2.5
Dimensions in mm	Length	340
	Overall depth	37
	Height	49
Door closer compliant with EN 1154		●
CE mark for construction products		●

● yes – no ○ option

<sup>1)</sup> In the case of particularly heavy doors and doors that have to close against wind pressure, we recommend the DORMA TS 93

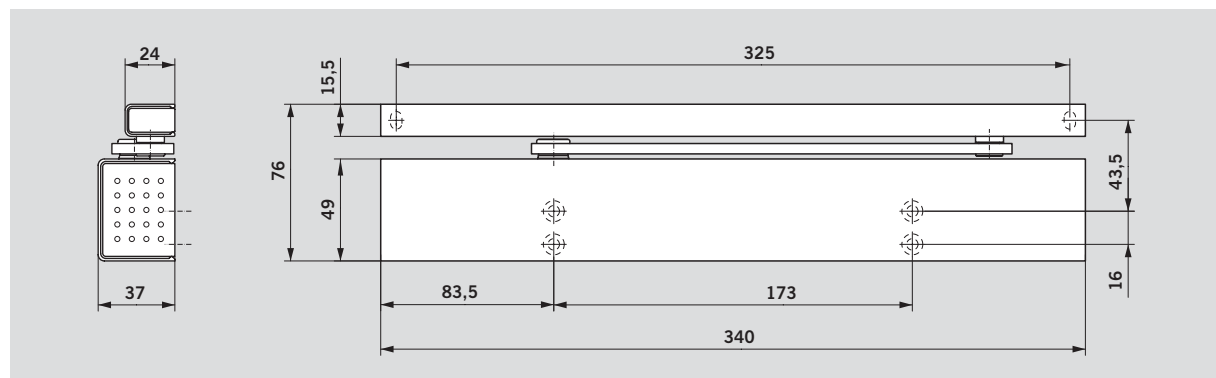
### Force profiles



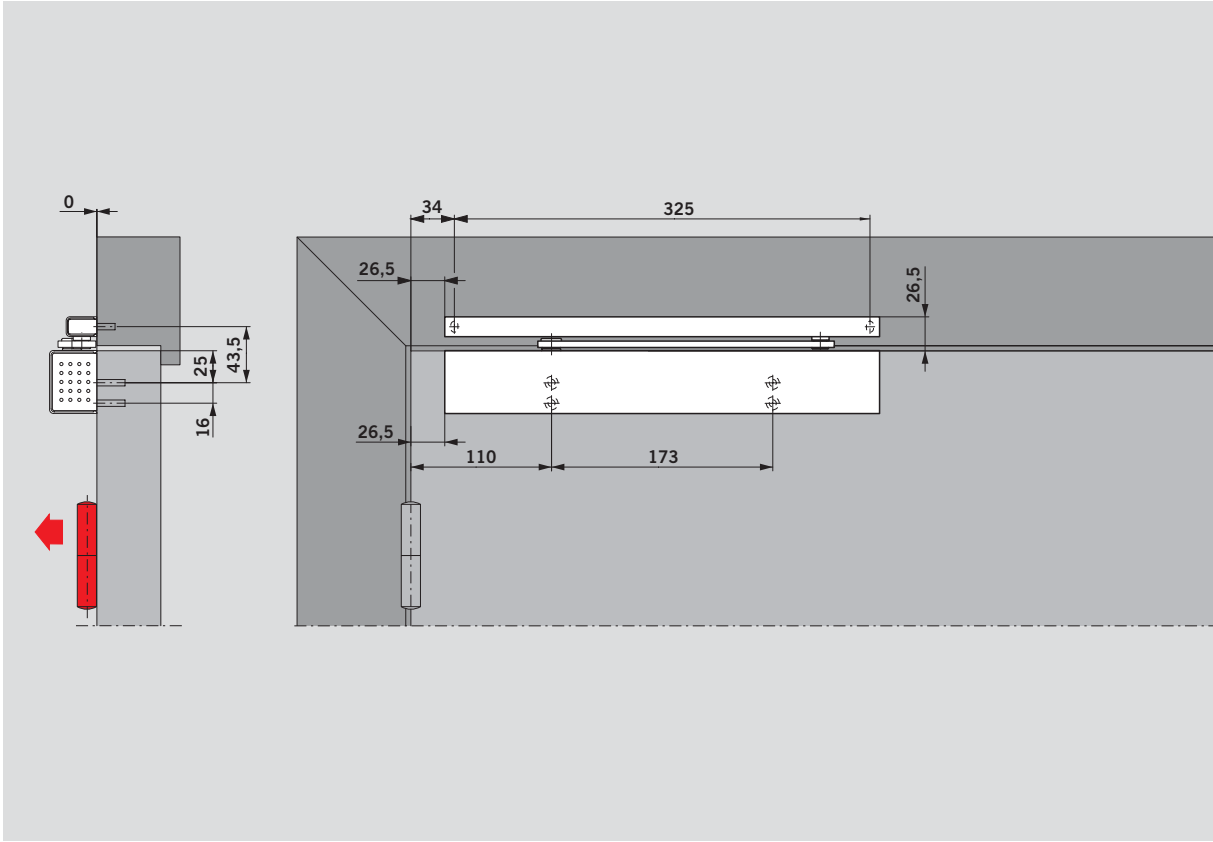
The heart-shaped cam and linear drive mechanism of the DORMA TS 97 ensure that the resistance encountered decreases almost instantly with the door opening action – so even children, the elderly and people with disabilities have no problem in passing through.

User-friendly and reliable closing is also ensured by the delayed increase in the actuating torque at the 'latching' end of the sweep.

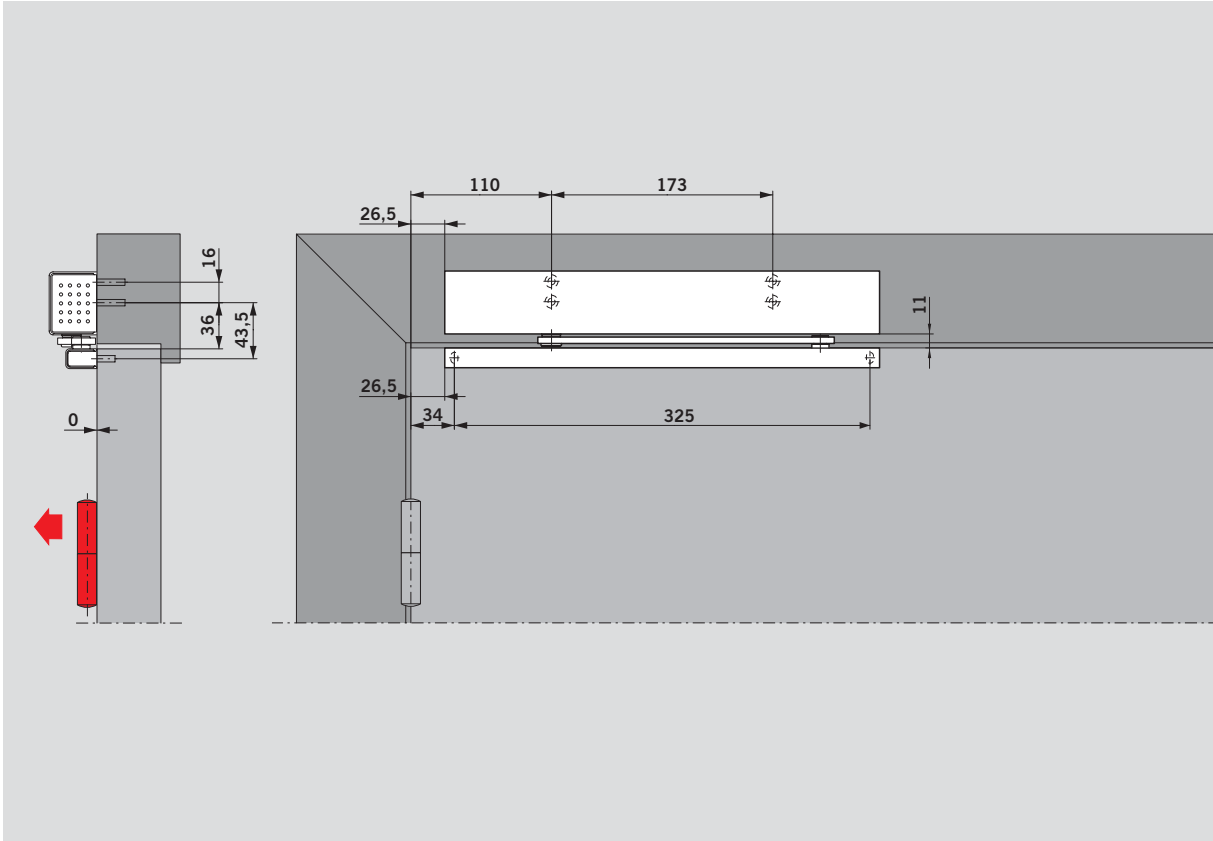
— Opening force  
— Closing force

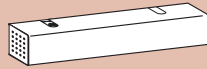





**Door leaf fixing, pull-side** (example: LH/ISO 6 door; mirror image for RH/ISO 5 door)



**Transom fixing, pull side** (example: LH/ISO 6 door; mirror image for RH/ISO 5 door)



Standard equipment and accessories		
	<b>TS 97</b> <b>cam-action door closer</b>  Size EN 2 – 4	<b>Mechanical hold-open device</b>  13000100
<b>Slide channel</b> 	 130100xx	#

Order No.

■ □ =ser body with arm,  
complete

# =Accessory

**Colour**

Silver anodised

White (sim. to RAL 9016) 11

Special colour

**xx**

01

11

09

Also available in "Design"  
finishes:

Stainless steel "Design" 04

Polished brass "Design" 05

"Design" finishes are mock  
metallic surface coatings

### Specification text

Cam-action door closer with rapidly decreasing opening torque. Compliant to EN 1154 and CE mark. Uniform lengths of door closer body and slide channel. Closing force EN 2 – 4, closing speed and latching action adjustable. Non-handed. With standard slide channel and dead stop unit.

**Accessories**

Mechanical hold-open device

**Colour**

Silver anodised

White (sim. to RAL 9016)

Stainless steel "Design"

Polished brass "Design"

Special colour \_\_\_\_\_

(sim. to RAL \_\_\_\_)

**Make**

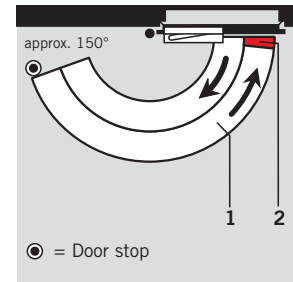
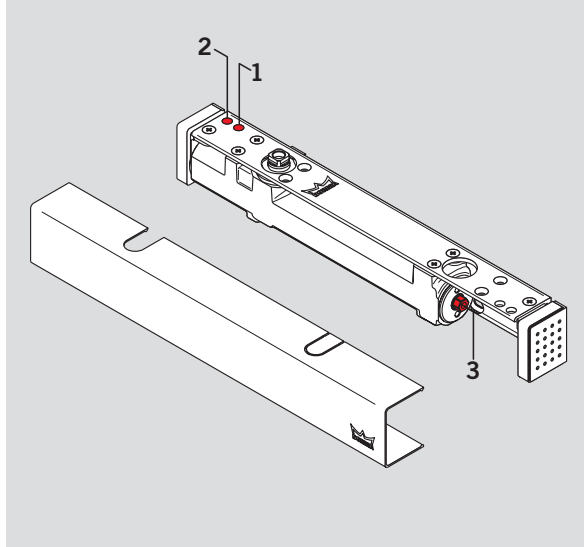
DORMA TS 97

### Standard and optional functions

The functions of the DORMA TS 97 can be individually adjusted to each door situation and matched to varying requirements.

The closer speed of the DORMA TS 97 can be infinitely adjusted by means of a valve, and there is a second valve for adjusting the latching action.

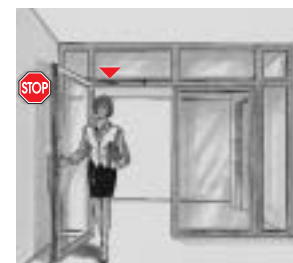
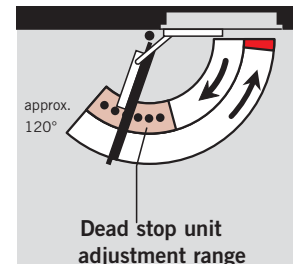
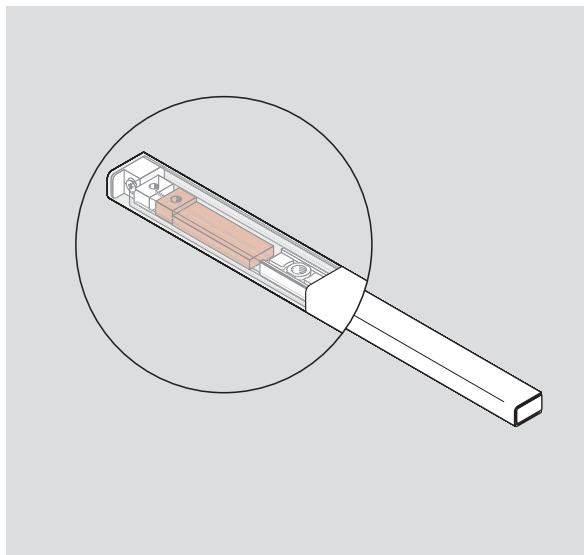
The closing force is adjustable between EN 2 and 4 by means of a screw.



- 1 Infinitely adjustable closing speed in the range 150° – 0°.
- 2 Infinitely adjustable latching action in the range 7° – 0°.
- 3 Adjustable closing force.

The integral **dead stop unit** of the DORMA TS 97 features progressive damping and helps to prevent a normally opened door from colliding with the adjacent wall. It can be adjusted to an opening angle between 80° and max. 120°.

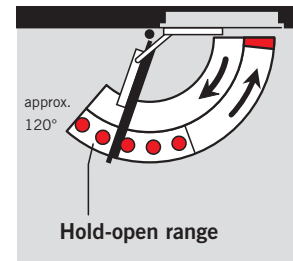
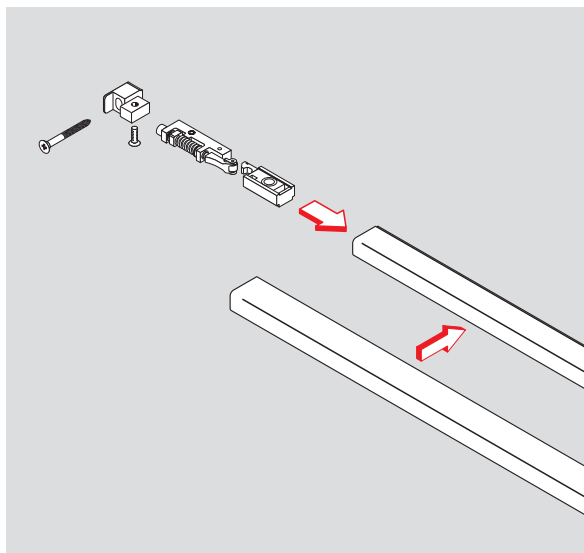
**The dead stop unit is not an overload protection device and in many cases is no substitute for a door stop.**



The **mechanical hold-open device** enables doors to be held without fallback at an opening angle up to approx. 120°.

The hold-open device is suitable for both LH and RH doors and is designed for retrofitting into the slide channel.

**Not suitable for fire and smoke check doors**



## Door Control Division worldwide

[www.dorma.com](http://www.dorma.com)

### Central Europe

DORMA GmbH + Co. KG  
Breckerfelder Str. 42-48  
D-58256 Ennepetal  
Tel. +49 23 33/793-0  
Fax +49 23 33/793-495

### North America

DORMA Architectural Hardware  
DORMA Drive, Drawer AC  
Reamstown, PA 17567  
Tel. +1-800-523-8483  
Fax +1-800-274-9724

### Australia

DORMA Door Controls Pty. Ltd.  
52 Abbott Road  
Hallam/Victoria 3803  
Australia  
Tel. +61 3/97 96 35 55  
Fax +61 3/97 96 39 55

### Scanbalt

DORMA Danmark A/S  
Sindalvej 6 - 8  
DK-2610 Rødovre  
Tel. +45 44/54 30 00  
Fax +45 44/94 95 04

### Emerging Markets

DORMA GmbH + Co. KG  
Breckerfelder Str. 42-48  
D-58256 Ennepetal  
Tel. +49 23 33/793-0  
Fax +49 23 33/793-495

### South America

DORMA Sistemas de Controles  
para Portas Ltda.  
Av. Piracema, 1400  
Centro Empresarial Tambore  
CEP 06400 Barueri/  
São Paulo, Brasil  
Tel. +55 11/41 91 32 44  
Fax +55 11/41 91 21 93

DORMA Door Controls (Pty.) Ltd.  
Kings Court, 4A Mineral Crescent  
ZA-2000 Crown/Gauteng  
South Africa  
Tel. +27 11/8 30 02 80  
Fax +27 11/8 30 02 91

### South-East Europe

DORMA AUSTRIA GmbH  
Pebering Strass 22  
A-5301 Eugendorf  
Tel. +43 62 25/2 84 88  
Fax +43 62 25/2 84 91

### Far East

DORMA Door Controls Pte. Ltd.  
No. 2 Jalan Terusan,  
Jurong  
Singapore 619285  
Tel. +65 62 68/76 33  
Fax +65 62 65/79 14

### South Europe

DORMA Italiana S.r.l.  
Via. A. Canova 44/46  
I-20035 Lissone (MI)  
Tel. +39 039/24 40 31  
Fax +39 039/24 40 33 10

DORMA Door Controls Pte. Ltd.  
Room 701, Technology Plaza  
651 King's Road  
North Point  
Hong Kong  
Tel. +825/250 34632  
Fax +825/288 75370

DORMA Ibérica, S.A.  
Camino San Martin de la Vega, 4  
E-28500 Arganda del Rey  
(Madrid)  
Tel. +34 91/8 75 78 50  
Fax +34 91/8 75 78 81

### France

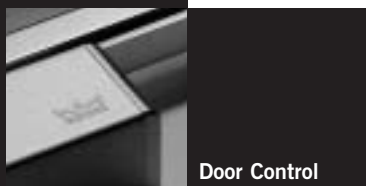
DORMA France S.A.S.  
Europarc  
42, rue Eugène Dupuis  
F-94046 Créteil  
Tel. +33 1/41 94 24 00  
Fax +33 1/41 94 24 01

### UK/Ireland

DORMA UK Ltd.  
Door Controls Division  
Wilbury Way  
GB-Hitchin  
Hertfordshire SG4 0AB  
Tel. +44 14 62/47 76 00  
Fax +44 14 62/47 76 01

### Gulf

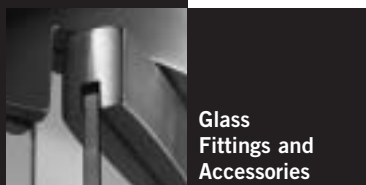
DORMA Gulf Door Controls FZE  
Jebel Ali Free Zone,  
Roundabout 8,  
Unit VC 02  
Dubai, United Arab Emirates  
Tel. +971 48/83 90 14  
Fax +971 48/83 90 15



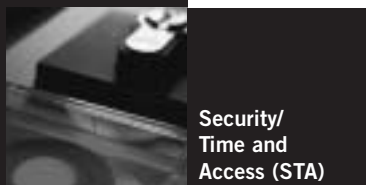
Door Control



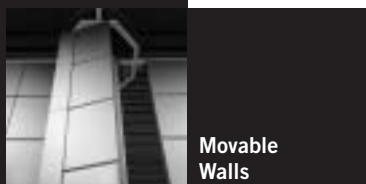
Automatic



Glass  
Fittings and  
Accessories



Security/  
Time and  
Access (STA)



Movable  
Walls

